

General Purpose Solenoid Valves S1014 Series (G3/8", G1/2", G3/4", G1")

GENERAL FEATURES

- Wide pressure range, flow rate and orifis options.
- Solenoid valves are used with filters.
- Solenoid valves can be mounted in any position without affecting its operation.
- Coil to be used in a vertical position.

ELECTRICAL CHARACTERISTICS

Continuous Duty	: ED %100
Coil Insulation Class	: H (180°C)(IEC 85)
Coil Impregnation	: Polyester Fiber Glass
Ambient Temperature	: -10°C, +60°C
Protection Degree	: IP65 (ISO 60529) On request; IP68
Electric Plug Connection	: DIN 46340 3-Poles Connector (DIN 43650)
Connector Specification	: ISO 4400 / EN 175301-803 Form A, Spade Plug (Cable Ø6-8 mm)
Electrical Safety	: IEC 335
Standard Voltages	: AC 12V 15VA, 24V 15VA, 48V 15VA, 110V 15VA, 230V 15VA, 230V 24VA DC 12V 18W, 24V 18W, 48V 18W, 110V 18W

On request other voltages

Voltages Tolerance : AC -15%, +10% DC -5%, +10%

Frequency : 50 Hz (60 Hz...)

On request; Connector with LED, PWM Socket Specify coil voltage with order

MATERIALS IN CONTACT WITH FLUID

Body	: Brass
Internal Parts	: Stainless Steel, Brass
Sealing	: NBR(On request; EPDM, VITON, TEFLON)
Shading Ring	: Copper (EN 12735-1)
Seats, Core Tube, Springs	: Stainless Steel, Brass

OPTIONS

Female connection: BSP; (On request NPT)

- On request CR-Ni plated, PTFE coated done
- On request Atex (exproof) coil.

TECHNICAL FEATURES

Max. Viscosity : 5°E (-37cST veya mm²/s)

Response Time : Opening time : 400 ms - 1600 ms

Closing Time : 1000 ms - 2000 ms

SEALS FEATURES

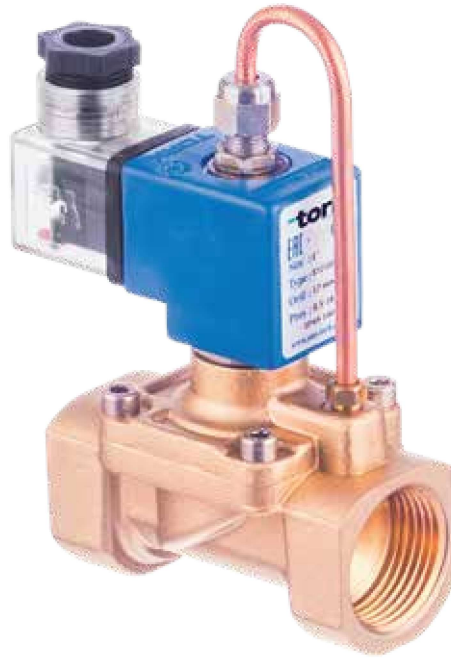
NBR : -10°C...+80°C

EPDM : -10°C...+130°C

VITON : -10°C...+160°C

PTFE : -10°C...+160°C

RUBY : -10°C...+160°C



HIGH PRESSURE

NORMALLY OPEN

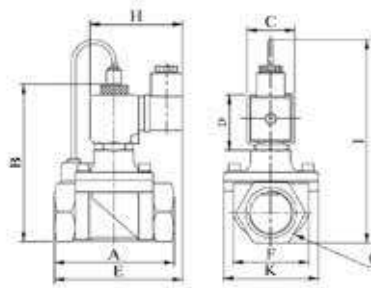
2/2 OPERATED

PILOT OPERATED

ΔP=0,5



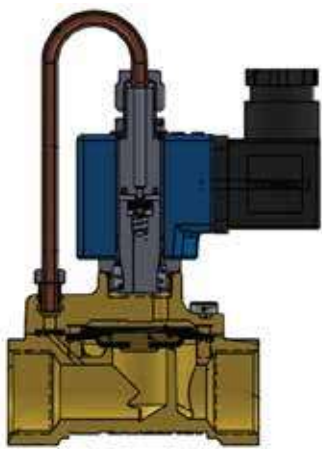
WATER and LIQUID



Dimensions (mm)

	G	A	B	C	D	E	K	H	I
3/8"	72	97,7	32	45	94,8	52,5	76	124	
1/2"	80	99,2	32	45	96,2	52,5	76	128	
3/4"	79	106	32	45	97,2	52,5	76	134	
1"	85	112,5	32	45	98,7	52,5	76	143	

Coils	Nominal Values	Cold/ Hot	Inrush	Holding	Current (A)	Surface Temperature (°C)
C40012VDC18W	12VDC 18W	SOĞUK	19,56	19,56	1,63	20
		SICAK	14,52	14,52	1,21	106
C40024VDC18W	24VDC 18W	SOĞUK	20,88	20,88	0,87	25
		SICAK	14,64	14,64	0,61	116
C40110VDC18W	110VDC 18W	SOĞUK	19,96	19,96	0,18	23
		SICAK	13,56	13,56	0,123	115
C40012VAC15VA	12VAC 15VA	SOĞUK	23,81	16,43	1,3	25
		SICAK	-	15,86	1,262	79
C40024VAC15VA	24VAC 15VA	SOĞUK	25,82	15,02	0,62	22
		SICAK	-	13,91	0,57	81
C40110VAC15VA	110VAC 15VA	SOĞUK	30,65	15,17	0,137	24
		SICAK	-	13,96	0,126	80
C40230VAC15VA	230VAC 15VA	SOĞUK	31,4	15,64	0,068	25
		SICAK	-	14,41	0,063	80
C40230VAC24VA	230VAC 24VA	SOĞUK	45,1	23,92	0,0154	23
		SICAK	-	21,62	0,0154	100



Solenoid Valve Symbol	Valve Type/ Order No	Connection Size	Orifice Size	Pressure min/max		Kv	Seal			Weight
				Bar	Bar		l/min	NBR	Option	
	S1014	G	mm	Bar	Bar	l/min	TEFLON	Option	TEFLON	kg
	S1014.02.125	3/8"	12,5	0,5	40	48	✓	TEFLON	✓	0,71
	S1014.03.145	1/2"	14,5	0,5	40	70	✓	TEFLON	✓	0,74
	S1014.04.170	3/4"	17	0,5	40	90	✓	TEFLON	✓	0,82
S1014.05.170	1"	17	0,5	40	90	✓	TEFLON	✓	0,99	